



Variable dump pivot height: Lift only as high as necessary to transfer the load

Customized Box Options: Available with Standard or Lowside box. Optional Extension kits create the ideal box for your harvesting needs



Adjustable pole: Both standard pole or **Optional Long pole** are easy to adjust in length

Heavy duty steel main frame: Built to deliver consistent, dependable performance in tough field conditions

High flotation large diameter tires: Deliver less ground compaction

Wide 10 foot wheel track: Deliver less ground compaction

Options

- Counterweight boxes
- Several hitches available in a variety of category II through category V options
- Scale kit with monitor and optional printer
- Heavy duty rear drawbar
- Heavy duty rear bumper
- Axle options: Powered, or Braking
- Hydraulic assist wheel motors
- Front and rear screened, plexiglass or solid end panels
- High capacity brakes
- High intensity strobe lights
- Tire options available for variety of needs and harvesting requirements
- Straight or flared extensions
- Light package (inside & out)
- Hydraulic assisted flow control floor option to meter product discharge



100 Bean Street
Clear Lake, WI 54005

tel 715.263.2112
800.628.6196
www.oxbocorp.com



Specifications

Dump pivot height	9 to 15 ft (2743-4572 mm)		
Overall height	10 ft 8 in (3251 mm)		
Loading height	9 ft 4 in (2845 mm)		
Overall box width	10 ft 9 in (3277 mm)		
Dump tilt angle	43°		
Ground clearance	20.5 in (528 mm)		
Hub spindle rating/side	20,000 lbs (9072 kg)		
Hydraulic pressure requirements	2000 psi (136 bar)		
Wheel track	120 in (3048 mm) 124 in (3150 mm)		
Dump cycle time*	2 minutes		
Tilt cylinder size	5 x 69 in (127 x 1753 mm)		
Model	1512	1514	1516
Length of box	12 ft (3658 mm)	14 ft (4268 mm)	16 ft (4877 mm)
Capacity (with standard box)	569 cu ft (16.11 cu m)	665 cu ft (18.83 cu m)	760 cu ft (21.52 cu m)
Capacity (with lowside box)	487 cu ft (13.79 cu m)	569 cu ft (16.11 cu m)	650 cu ft (18.41 cu m)
Load capacity	22,500 lbs (10206 kg)	26,250 lbs (11907 kg)	30,000 lbs (13608 kg)
Front lift cylinder size	5 x 74.5 in (127 x 1892.3 mm)	5 x 74.5 in (127 x 1892.32 mm)	5.5 x 74.5 in (139.7 x 1892.32 mm)
Rear lift cylinder size	4.75 x 74.5 in (120.65 x 1892.3 mm)	4.75 x 74.5 in (120.65 x 1892.3 mm)	4.75 x 74.5 in (120.65 x 1892.3 mm)
Hyd reservoir cap min requirements	10 gal (38 L)	10 gal (38 L)	15 gal (57 L)
Shipping weight**	11,000 lbs (4990 kg)	12,000 lbs (5443 kg)	13,000 lbs (5897 kg)

*Cycle time directly proportional to hydraulic supply outlet
**Tire size and/or options will vary shipping weight and dimensions



15 Series

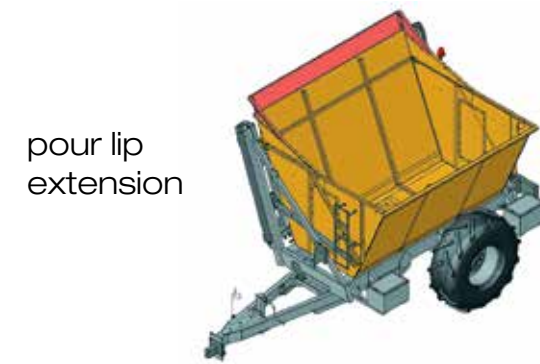


dump carts

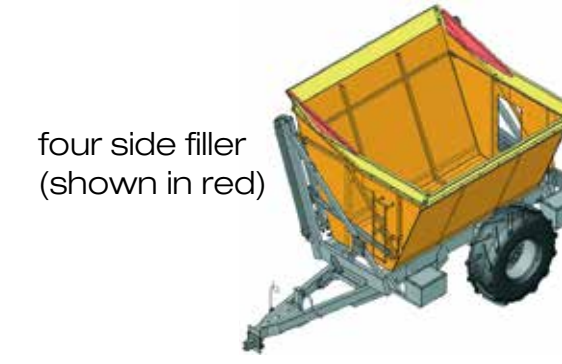




Optional side configurations



pour lip extension



four side filler (shown in red)

Standard 15 series cart

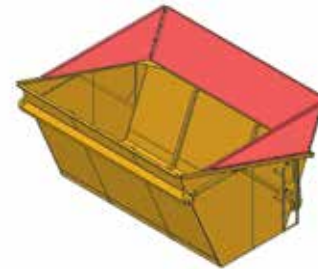


flared extension

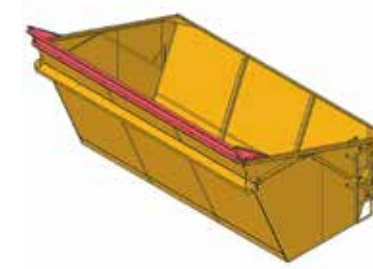


three side extension

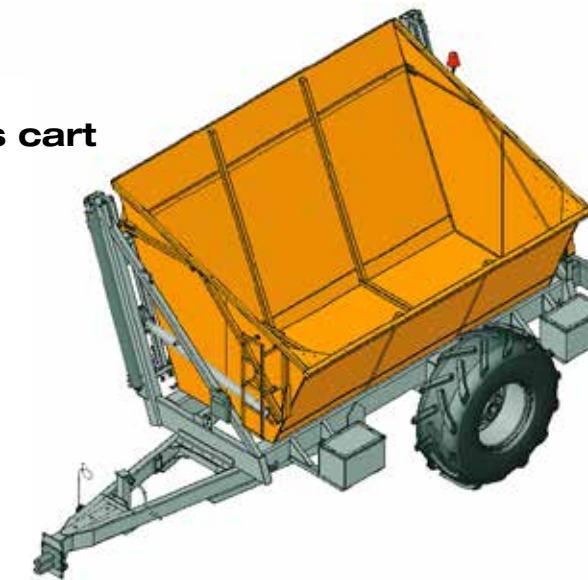
Lowside 15 series cart



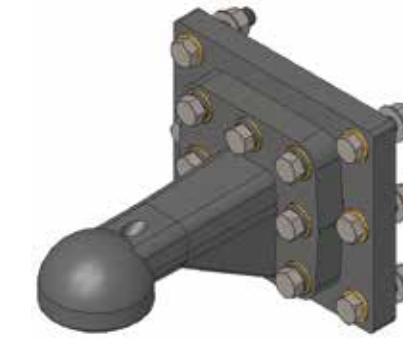
low side to standard



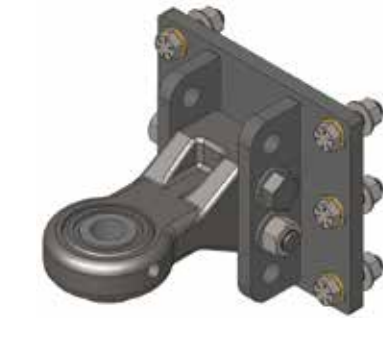
lowside pour lip



Optional hitch configurations



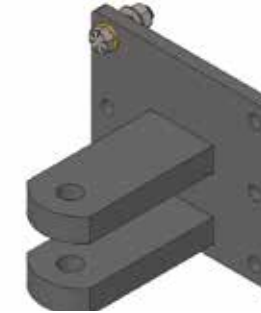
80mm ball



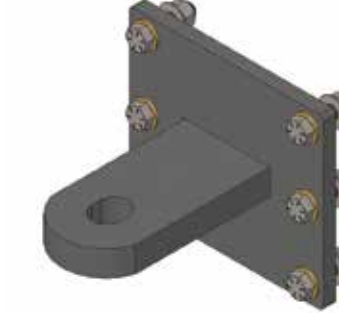
Articulating Cat 3 or 4



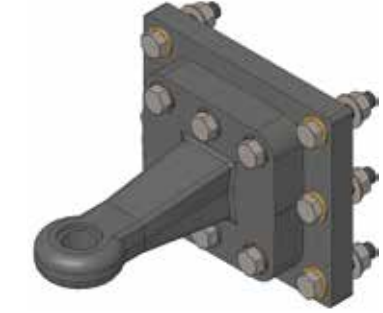
Scale swivel clevis



Fixed clevis Cat 2



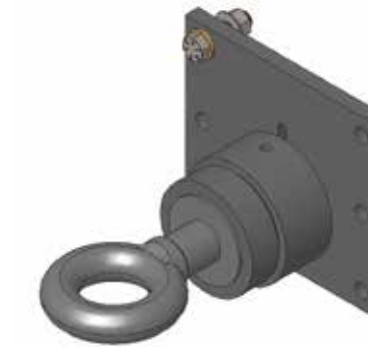
Hammer strap Cat 3 or 4



40mm Towing eye



Swivel Clevis Cat 2



Pintle Cat 5



Scale Articulating Cat 3 or 4



Scale Hammer Strap Cat 3

Optional pole configurations

Standard adjustable



Fixed pole



Long adjustable pole



Short adjustable pole



15 Series

With over 50 years of specialty harvesting experience, Oxbo understands your need to get valuable crops from the field quickly and efficiently.

The durable and proven welded box design of Oxbo's 15 series dump carts have been industry leaders. They are designed to withstand even the most adverse harvest conditions. Oxbo 15 series carts reliably cycle thousands of times, Oxbo dump carts load low and dump high.

Dumpcart Benefits

- Ability to "dump-on-the-go". Less start and stop cycles on harvester
- Drive along your harvester and use the 15 series as a "nurse" cart to load while you harvest
- High flotation tires provide a less damaging impact on your fields and equipment

- Continuous harvester production
- Prevent wear and tear to highway transport equipment from adverse field conditions

Oxbo benefits

- Rapid cycle time: 2 minutes or less to full dump height, dump and return
- Loads low, dumps high. Standard height of 9'4" and optional low side model loads at 7'4".
- Easily lifts rated load capacity up to 15' high
- 3 models: 1512, 1514, 1516 configured in multitude of styles
- Stable 10' wide wheel track
- Robust design features 3" pivot pins, .375" and .50" wall thickness frame tubes, and 4.5" spindles
- Optional scale kit to document individual dump cycles